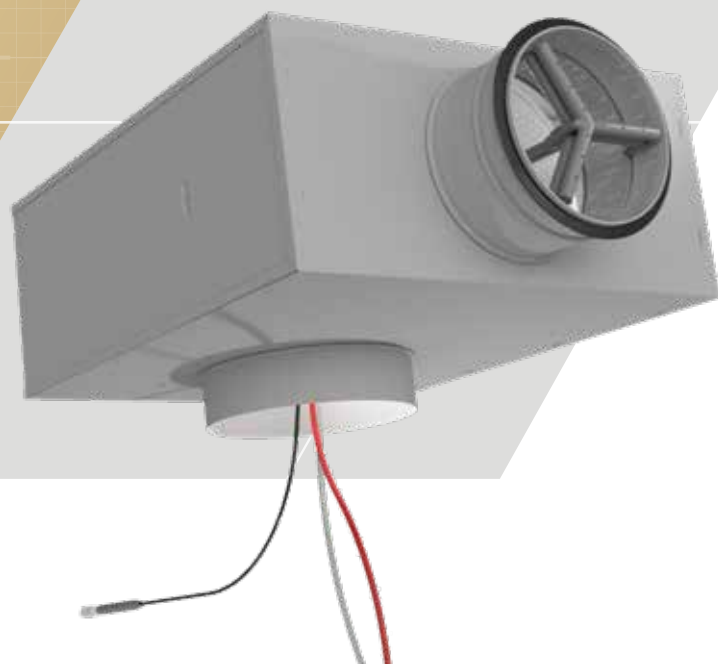


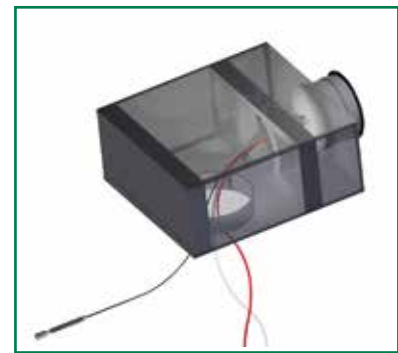
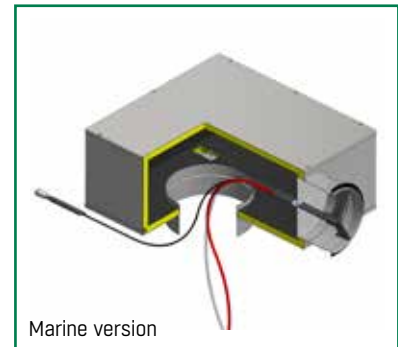
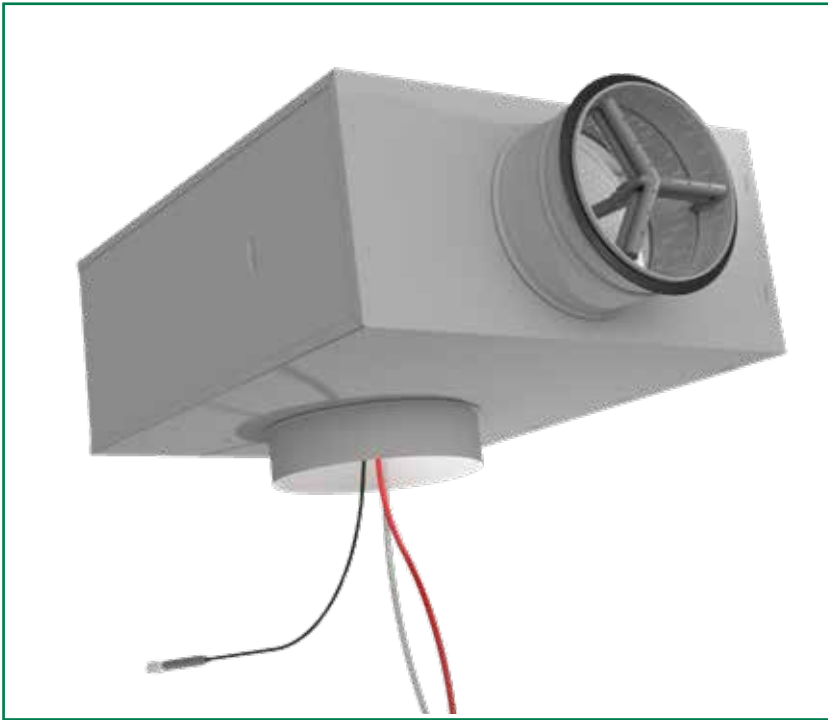
**FläktGroup**<sup>®</sup>

AIRTREND Ltd  
Predstavništvo u Beogradu  
Kumanovska 14, 11000 Beograd  
Tel: 011/3836886, 3085740  
Faks: 011/3444113  
e-mail: gobrid@eunet.rs  
web: www.airtrend.rs

# Plenum box ATTD

TECHNICAL DATA





ATTD is a plenum box for all types of air diffusers and is applicable for supply and exhaust air alike. The diffuser connection collar is either outwards or inwards in the plenum box – in the latter case, the plenum box needs less space.

The sound attenuation elements are designed to direct the air flow in order to provide an uniform air distribution. The patented measurement and adjustment damper enables balanced and accurate values.

#### PRODUCT DATA

- Low sound level
- Easy to install and adjust
- Accurate air flow measurement and adjustment
- Includes a ZAEF measurement and adjustment damper that can be easily removed without changing the setting
- Duct connection sizes 100-315 mm, diffuser connection sizes 125-400 mm
- Available with 1:2 (e.g. 160:200 mm) and 1:3 (e.g. 160:250 mm) duct/diffuser connections
- Made of galvanized sheet steel
- Tightness class C

#### PRODUCT CODE EXAMPLE

Plenum box with 1:2 connections,  
collar outwards  
ATTD-160-200-1

## GENERAL

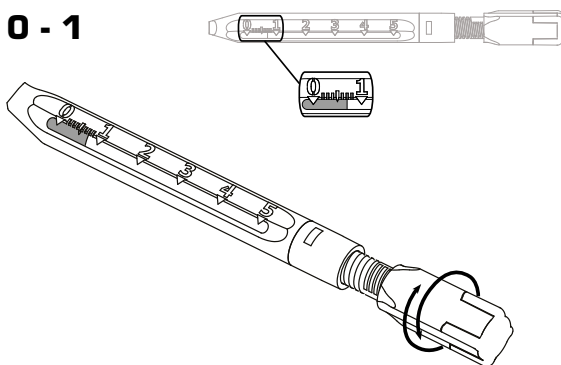
### EXECUTION AND FUNCTION

ATTD is a range of plenum boxes for all types of air diffusers. The diffuser connection collar is either outwards or inwards in the plenum box – in the latter case, the plenum box needs less space. ATTD is applicable for supply and exhaust air alike. In exhaust air use, the position of the measuring hose is changed to the measuring connector inside the box.

The sound attenuation elements are designed to direct the air flow in order to provide an air distribution that is as uniform as possible. They are easy to remove for cleaning. The ATTD for marine use is equipped with effective Isover Cleantech insulation material with black fiberglass fabric coating.

The patented multipoint measuring of the measurement and adjustment damper (ZAEF) enables balanced and accurate values. The adjustment handle of the measurement and adjustment damper has a position indicator and a locking device. For minor damper openings (0–1) the measurement and adjustment damper features a finetuning function that is operated by turning the adjustment spindle of the adjustment handle. With larger openings (1–5), the sliding adjustment provides fast settings. The setting is locked by turning the adjustment spindle clockwise to the locking position. The measurement and adjustment damper can be easily removed for inspection and cleaning without changing its setting or removing the sound attenuation elements. The k-factors for different installations (supply air) are marked on the adjusting cable. For k-factors for exhaust air, see the adjustment instructions for the respective diffuser.

**0 - 1**



### INSTALLATION

For installation purposes, the plenum box is provided with a hole for a threaded rod at the diffuser connection. For more detailed information, see the product-specific installation instructions.

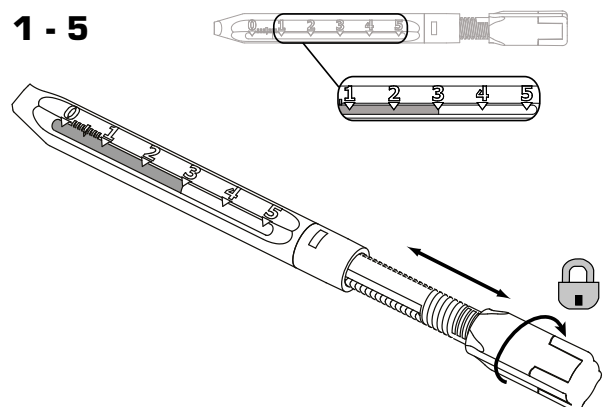
### MAINTENANCE

The ATTD plenum box includes a measurement and adjustment damper (ZAEF) that can be easily removed without changing its setting. The box also features removable, easy-to-clean sound attenuation elements. For more detailed information, see the product-specific maintenance instructions. The ductwork can be cleaned through the box.

### MATERIAL

Made of galvanized sheet steel. The sound attenuation elements are made of polyester fibre. The measurement and adjustment damper is mainly plastic (ABS and PA).

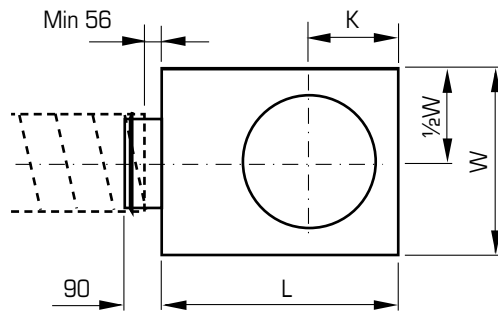
**1 - 5**



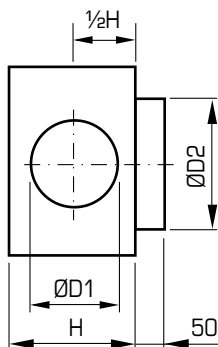
## DIMENSIONS AND K-FACTORS

### DIMENSIONS AND WEIGHTS

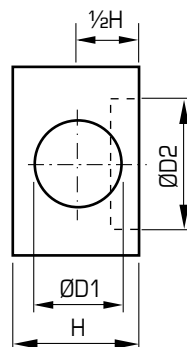
The range of duct connection diameters is 100-315 mm, and the range of diffuser connection diameters is 125-400 mm. The plenum box is available with 1:2 (e.g. 160:200 mm) and 1:3 (e.g. 160:250 mm) duct/diffuser connections, where the smaller diameter is always the duct connection diameter.



c = 1 & 4



c = 3



### MODEL 1:2

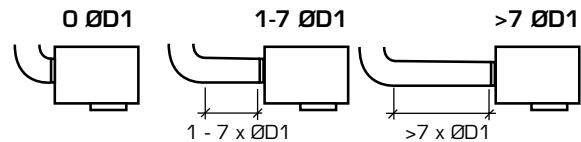
ATTD	ØD1 (mm)	ØD2 (mm)	H (mm)	L (mm)	W (mm)	K (mm)	Weight (kg)
100-125	99.3	125	170	350	320	132	2.5
125-160	124.3	160	170	450	320	152	3.0
160-200	159.3	200	205	480	440	177	4.0
200-250	199.3	250	245	630	480	210	5.5
250-315	249.3	315	295	680	570	252	6.9
315-400	314.3	400	360	680	570	252	8.0

### MODEL 1:3

ATTD	ØD1 (mm)	ØD2 (mm)	H (mm)	L (mm)	W (mm)	K (mm)	Weight (kg)
100-160	99.3	160	170	350	320	132	2.3
125-200	124.3	200	170	450	320	152	2.9
160-250	159.3	250	205	480	440	177	4.0
200-315	199.3	315	245	630	480	210	5.4
250-400	249.3	400	295	680	570	252	6.9

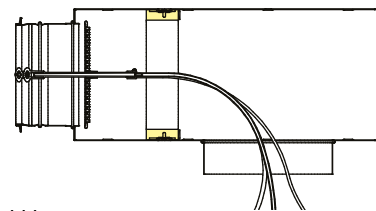
### K-FACTORS FOR SUPPLY AIR

For k-factors for exhaust air, see the adjustment instructions for the respective diffuser.

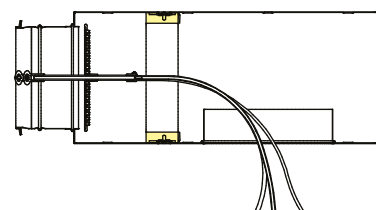


ØD1	0ØD1	1-7ØD1	>7ØD1
100	6.0	6.3	5.9
125	10.1	10.6	10.1
160	17.1	19.9	17.3
200	27.0	30.8	27.9
250	47.1	48.8	39.9
315	65.9	67.2	64.1

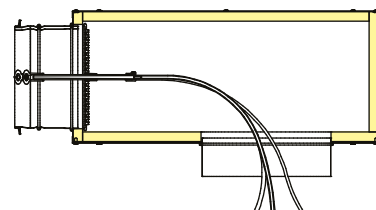
### VERSIONS



ATTD-aaa-bbb-1



ATTD-aaa-bbb-3



ATTD-aaa-bbb-4

## PRODUCT DESCRIPTION AND PRODUCT CODE

### PRODUCT DESCRIPTION

ATTD plenum box by FläktGroup, for supply and exhaust air. The plenum box includes a removable ZAEF measurement and adjustment damper as well as effective sound attenuation elements for directing the air flow in order to provide an uniform air distribution.

### PRODUCT CODE

**Plenum box 1:2**

**ATTD-aaa-bbb-c**

#### Size, mm (aaa-bbb)

100-125, 125-160, 160-200, 200-250, 250-315, 315-400  
(duct connection diameter - diffuser connection diameter)

#### Type (c)

1 = collar outwards  
3 = low, collar inwards  
4 = marine

**Plenum box 1:3**

**ATTD-aaa-bbb-c**

#### Size, mm (aaa-bbb)

100-160, 125-200, 160-250, 200-315, 250-400  
(duct connection diameter - diffuser connection diameter)

#### Type (c)

1 = collar outwards  
4 = marine

### ACCESSORIES

**Measurement and adjustment damper**

**ZAEF-aaa-b**

#### Size, mm (aaa)

100, 125, 160, 200, 250, 315

#### Hose length, m (b)

1 = 1 m  
3 = 2 m

**Sound attenuation elements (2 pcs)**

**COVZ-aaa-1**

#### Size, mm (aaa)

100\*, 160, 200, 250, 315

\* Size 100 is also for Ø125 boxes.

## EXCELLENCE IN SOLUTIONS

FläktGroup is the European market leader for smart and energy efficient Indoor Air and Critical Air solutions to support every application area. We offer our customers innovative technologies, high quality and outstanding performance supported by more than a century of accumulated industry experience. The widest product range in the market, and strong market presence in 65 countries worldwide, guarantee that we are always by your side, ready to deliver Excellence in Solutions.

### PRODUCT FUNCTIONS BY FLÄKTGROUP

Air Treatment | Air Movement | Air Diffusion | Air Distribution | Air Filtration  
Air Management & ATD's | Air Conditioning & Heating | Controls | Service

» Learn more on [www.flaktgroup.com](http://www.flaktgroup.com)  
or contact one of our offices